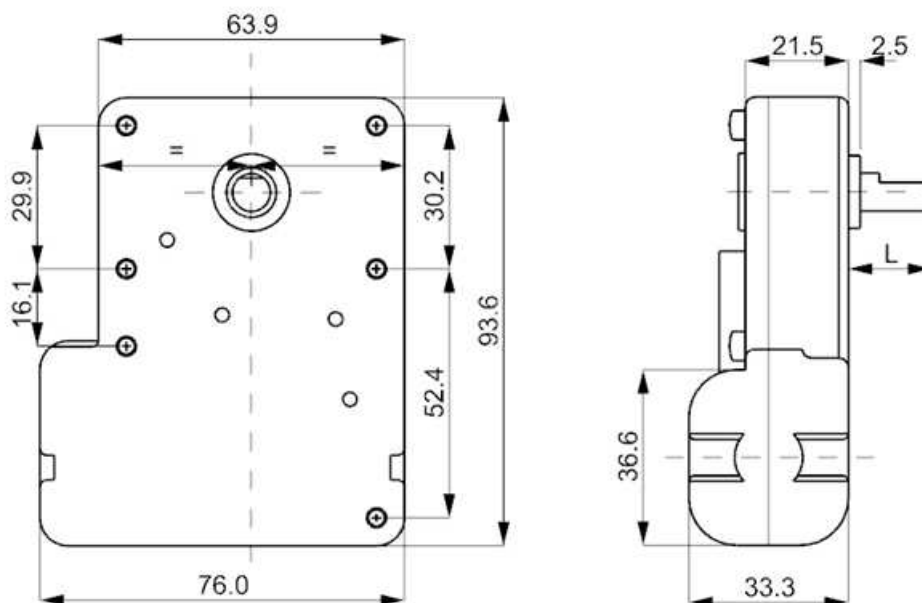


## GEARMOTOR RANGE 45.K60



### FEATURES

- permanent- magnet, bi-directional electric motor, 6÷24V DC
- zama cover, Steel Mdp gears, not reversible
- fastening can be done trough six (6) M4 holes
- output shaft is available with maximum  $\varnothing 9,0$  mm
- available with magnetic encoder and custom output shaft





**NUOVA KIWI S.R.L.**

Via del Progresso 14 – 36064 Colceresa (VI) – ITALY

Tel. 0424.411937 – Fax 0424.708828

[commerciale@nuovakiwi.it](mailto:commerciale@nuovakiwi.it) – [www.nuovakiwi.it](http://www.nuovakiwi.it)

CODE CODICE	RATIO RIDUZIONE	NOMINAL VOLTAGE	NO LOAD SENZA CARICO	MAXIMUM LOAD MASSIMO CARICO	WEIGHT PESO
		TENSIONE NOMINALE	SPEED VELOCITA'	TORQUE COPPIA	
		V	rpm	Nm	g
6060010	1/1358	24	6	7,0	518
6060011	1/650	24	13	3,9	512
6060012	1/310	24	27	1,4	504
6060013	1/148	24	56	0,9	490
6060018	1/1358	24	13	8,0	518
6060019	1/650	24	27	4,5	512
6060020	1/310	24	56	2,2	504
6060021	1/148	24	115	1,1	490