

Serie 55.N15



Applicazioni:

- Stufe e caldaie a pellet
- Girarrosti
- Macchine alimentari
- Distributori automatici
- Servomeccanismi industriali

CARATTERISTICHE COSTRUTTIVE

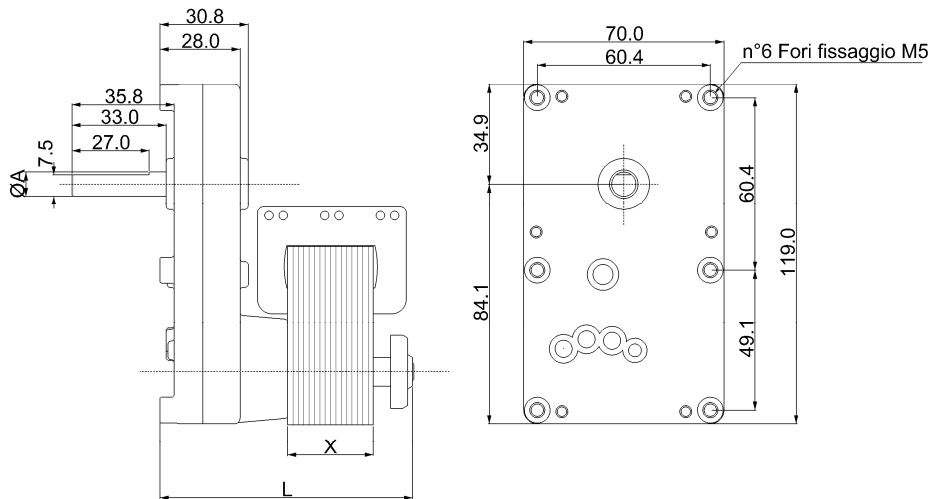
- Motore asincrono monofase, tensione di alimentazione 230 V AC – Frequenza 50 Hz
- Guscio in Zama , ingranaggi in acciaio Mdp
- Per il fissaggio sono disponibili 6 fori M5 passanti.
- Reversibile
- Certificato **CE**

Via del Progresso, 14 – 36060 Molvena (VI)

Tel.: 0424/411937 – Fax: 0424/708828

Internet: www.nuovakiwi.it – E-mail: p.azzolin@nuovakiwi.it

VERSIONE CON ALBERO WITH OUTPUT SHAFT



Sono disponibili di serie diametro A=8,5 mm e 9,5 mm

TENSIONE NOMINALE	VELOCITA' rpm	COPPIA MASSIMA Nm	DIMENSIONI	
			(X)	(L)
			mm	mm
230	2,0	35,0	25,0	83,0
230	4,0	28,0	25,0	83,0
230	5,5	18,0	25,0	83,0
230	12,0	9,0	25,0	83,0
230	29,0	3,8	25,0	83,0
230	60,0	2,0	25,0	83,0
230	2,0	35,0	40,0	98,0
230	4,0	35,0	40,0	98,0
230	5,5	27,0	40,0	98,0
230	12,0	14,0	40,0	98,0
230	29,0	6,0	40,0	98,0
230	60,0	3,0	40,0	98,0

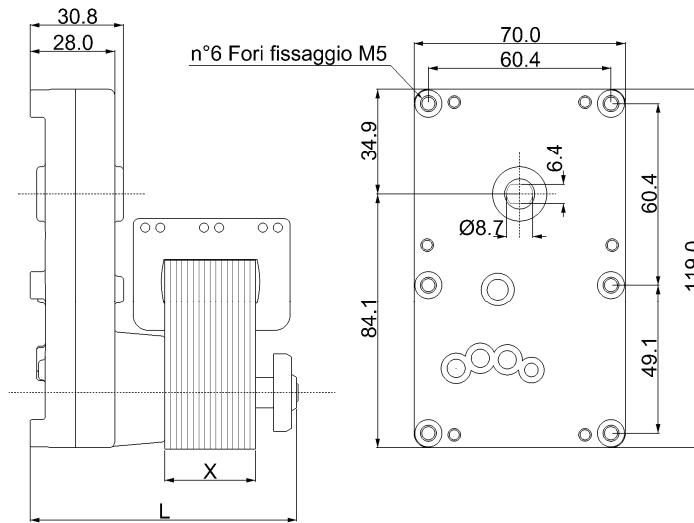
I dati della tabella sono indicativi e possono subire delle variazioni senza preavviso

Via del Progresso, 14 – 36060 Molvena (VI)

Tel.: 0424/411937 – Fax: 0424/708828

Internet: www.nuovakiwi.it – E-mail: p.azzolin@nuovakiwi.it

VERSIONE CON ING. CAVO WHIT HOLLOW SHAFT



TENSIONE NOMINALE	VELOCITA' rpm	COPPIA MASSIMA Nm	DIMENSIONI	
			(X)	(L)
			mm	mm
230	2,0	35,0	25,0	83,0
230	4,0	28,0	25,0	83,0
230	5,5	18,0	25,0	83,0
230	12,0	9,0	25,0	83,0
230	29,0	3,8	25,0	83,0
230	60,0	2,0	25,0	83,0
230	2,0	35,0	40,0	98,0
230	4,0	35,0	40,0	98,0
230	5,5	27,0	40,0	98,0
230	12,0	14,0	40,0	98,0
230	29,0	6,0	40,0	98,0
230	60,0	3,0	40,0	98,0

I dati della tabella sono indicativi e possono subire delle variazioni senza preavviso

Via del Progresso, 14 – 36060 Molvena (VI)

Tel.: 0424/411937 – Fax: 0424/708828

Internet: www.nuovakiwi.it – E-mail: p.azzolin@nuovakiwi.it